



The Oriental Dialogue

Language Learning : *Simplified!*

Corporate Trainings

2026



theorientaldialogue.com

Our Story

Founded in 2012 with a focus on Business Chinese Language, **The Oriental Dialogue** has evolved into a premier hub for language excellence. With **over 10,000 hours of training** delivered, we utilize a proprietary, **copyrighted curriculum** designed for rapid, practical mastery.

In 2020, we expanded our expertise to include **Japanese and Korean**. Driven by the high demand for our unique teaching methodology, we now also offer **English and European languages**. Having partnered with numerous organizations, we possess the corporate insight to tailor our programs to your specific professional requirements.

From **corporate employees to school children**, we prepare our learners for global success - facilitating scholarships, exchange programs, and authentic cultural immersion.



**The Oriental
Dialogue**

Language Learning : Simplified!



Vision And Mission



Our Vision

To make language learning simple, easy, and enjoyable.



Our Mission

Our mission is to provide high-quality, exclusive language and culture trainings.

We strive to simplify language learning and empower individuals and organizations with linguistic skills and essential cultural knowledge.



**The Oriental
Dialogue**

Language Learning : Simplified!



Trainings Offered

We offer a wide range of Functional and Behavioural trainings in the Language Learning space.

Languages offered:

- | | | |
|---|---|---|
|  Mandarin |  Italian |  English |
|  Japanese |  German |  Marathi |
|  Korean |  Spanish |  Hindi |
|  Bahasa Indonesia |  French | |
| |  Dutch | |



Language Trainings

We have capabilities across Mandarin, Japanese, Korean, Italian, German, French, Spanish and Bahasa Indonesia. We have completed over 500 hours of corporate language training till date.



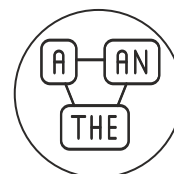
Business Culture Trainings

- Cultural nuances
- Business etiquette
- Addressing international counterparts
- Basic greetings and phrases



Customised Trainings

- Requirement specific trainings.
- How to read and generate reports and engineering drawings in clients' mother tongue.
 - Industry specific vocabulary



English Trainings

- Email etiquette
- Influencing without authority
- Effective communication skills
- Written English
- Communication skills for Managers

Language Trainings

We approach language learning with the goal of making the experience easy and enjoyable.

Our proprietary textbooks are designed specially for Indian learners and leverages native language pronunciations to help with target language phonetics.

We have conducted over 500 hours of corporate language trainings and over 10,000 hours of classroom trainings.



Beginners
(30 hours)

Level 1
(60 hours)

Level 2
(60 hours)

Level 3A
(60 hours)

Level 3B
(60 hours)

Level 4A
(60 hours)

Level 4B
(60 hours)

Advanced



**The Oriental
Dialogue**

Language Learning : Simplified!



Business Culture Trainings

This course is specially designed for organisations looking to teach their employees about international business etiquette and how to work with a global client network.

Some topics covered during this course are:

- Addressing global counterparts and name pronunciations.
- When and how to use honorifics.
- Email etiquette.
- Cultural nuances.
- Basic greetings and phrases.
- Food, travel, and other survival language.



**The Oriental
Dialogue**

Language Learning : Simplified!



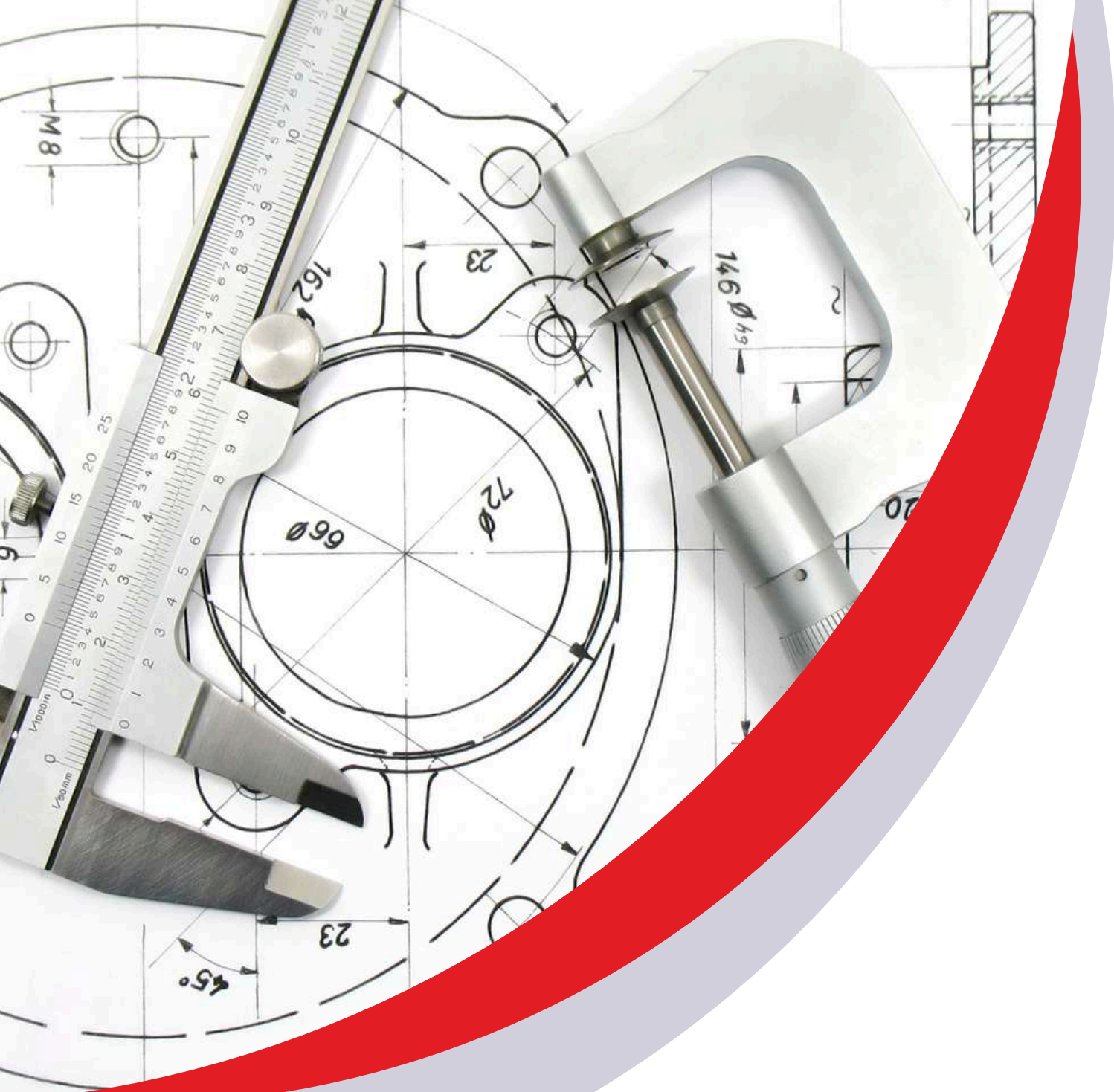
4 Hour training



Conducted at your office



Interactive Sessions



Customised Trainings

When, learning the language is not entirely necessary in your corporate environment, we offer requirement based customised trainings.



Designed as per your requirements.



Includes Industry specific vocabulary.



Basic greetings and phrases.



Addressing international clients and suppliers.



Reading and generating reports and documentation in target language.



**The Oriental
Dialogue**

Language Learning : Simplified!



Min 2 hour/day



Conducted online/offline



Interactive Sessions

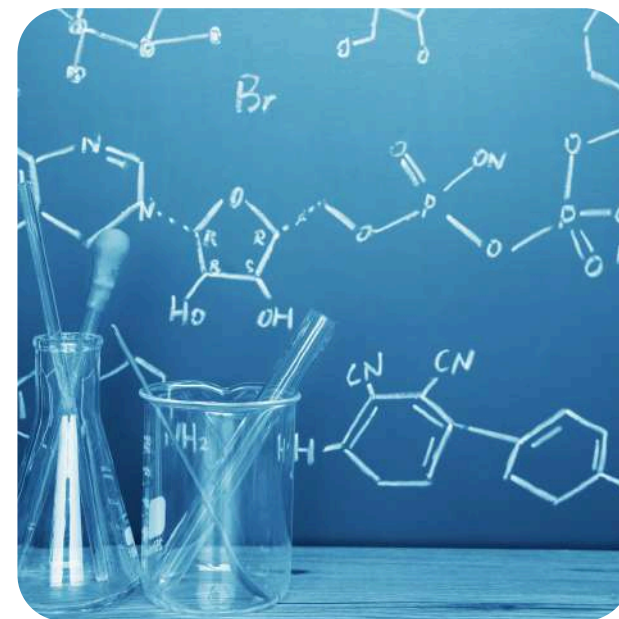
Past Custom Trainings

Some examples of custom trainings:

Conducted trainings for an automotive ancillary client to help them read and interpret reports generated in Mandarin. Created custom industry specific vocabulary lists to help them generate reports in Mandarin



Conducted trainings for organic chemistry patent officers to help them read and interpret patents submitted in Mandarin.



**The Oriental
Dialogue**

Language Learning : Simplified!



English Training

It is critically important to offer each and every corporate employee the opportunity to improve their spoken English and E-mail communication skills.



Who can benefit from our English trainings?

- Corporate Employees
- International counterparts
- Freshers new to your organisation



Trainings offered:

- Email etiquette
- Influencing without authority
- Effective communication skills
- Written English
- Communication skills for managers



**The Oriental
Dialogue**

Language Learning : Simplified!



Marathi Training

Our Marathi language training programs cater to professionals from various fields. Whether you're a manager, a doctor, a bank employee, or anyone who interacts with Marathi-speaking customers or subordinates daily, our trainings will help you communicate more effectively and build stronger relationships.

We offer both short (3-day cultural immersion) and long-term training options to fit your organizational needs.



Who can benefit from our Marathi trainings?

- Corporate Employees
- Expats Relocated to Maharashtra
- Bank Employees
- Doctors and Healthcare Professionals
- Anyone Interacting with Marathi-Speaking Customers



Hindi Training

Our Hindi language training programs are designed for expats and individuals from regions where Hindi is not commonly spoken. Whether you're looking to improve your basic communication skills, interact better with Hindi-speaking clients, or simply adjust to a new cultural environment, our training options provide the tools and confidence you need. Choose from short (1-day cultural immersion) or long-term training options tailored to suit your needs.



Who can benefit from our Hindi trainings?

- Expats Relocated to India
- People from Non-Hindi Speaking Regions of India
- Corporate Employees Interacting with Hindi-Speaking Clients
- Healthcare Professionals and Doctors
- Bank Employees and Customer Service Representatives
- Anyone Seeking Basic Communication Skills in Hindi



SPEAK HINDI



Our Corporate Clients

We've had the pleasure of working with remarkable groups of corporate employees from diverse industry backgrounds.



Student experiences



Japanese

The Oriental Dialogue has very skilled trainers. I have been leaning Japanese here from The Oriental Dialogue and my Sensei is so cool and explaining all Japanese grammar and vocabulary in a very understandable way. We had many listening practices as well. Thank you team. - Madhu (Fujitsu)

Learning Hiragana was an incredible experience. Sayali sensei is very kind and knowledgeable. She was patient, helpful and made learning the Japanese language easier. Not only did she teach us about the language but also enlightened us with their culture. - Eesha



Korean

Very neat and polite way of teaching. Overall experience was excellent, highly recommend 🌟 We had really great experience with Riya ma'am. Thank you ma'am. - Shraddha

I finished my Beginner Course in Korean with Riya 선생님 and really enjoyed it. She is a very sweet teacher and I truly look forward to continuing learning with her :) - Zainab



The Oriental Dialogue

Language Learning : Simplified!



Student experiences



Chinese

Highly recommended for learning Mandarin efficiently in an easy and interactive way. Experienced tutors and Chinese culture oriented conversations make this institute one of the best to learn Mandarin. Timely tests and international exams oriented teaching is present in every session .
确实是最好的之一啊!!👍😊 - Sanika

the way of teaching is amazing by Miss Deepa. overall my learning experience is very good. earlier I felt Chinese language is very tough, but after completion of Chinese language beginners Level -1 my perception is fully changed & now I feel Chinese language is not much difficult. thank you miss Deepa for your guidance & support. - Vishal (Jabil)



Italian

I took Italian class level 1 with oriental dialogue... And class gave what I expected..And the way of teaching was crafted really good manner.... - Gokulkrishnan



The Oriental Dialogue

Language Learning : Simplified!

Meet our Founder

Aditi Kotheekar is a passionate language teacher and has dedicated her efforts towards helping students and corporate clients learn Chinese, Japanese and Korean. It all began when Aditi realised that conventional methods of teaching Mandarin made it challenging for students to perfect their pronunciation. As Indians, we are already familiar with a lot of sounds used in the Mandarin language. At TOD we leverage this ability to help simplify the learning process and make learning fun.

Mandarin, Japanese, and Korean are perceived to be difficult languages - We, at TOD are here to shatter these perceptions and help simplify the experience.



Aditi Kotheekar
Founder, The Oriental Dialogue

Contact Us

Aditi Kotheekar - Founder

✉ aditi@theorientaldialogue.com

Amolika Mohile - Business Development

✉ amolika@theorientaldialogue.com

Akshata Kharote - Business Development

✉ akshata@theorientaldialogue.com

☎ [+919307602610](tel:+919307602610)

📍 Office No. 718, Westport, Pan Card Club Rd,
Baner, Pune, Maharashtra 411045

Our ventures

